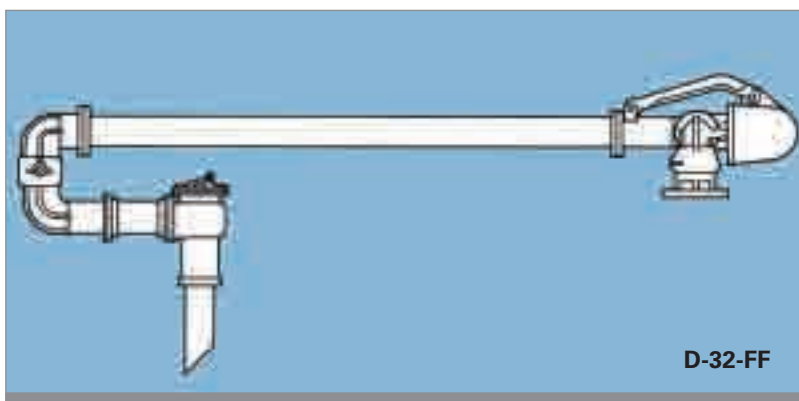
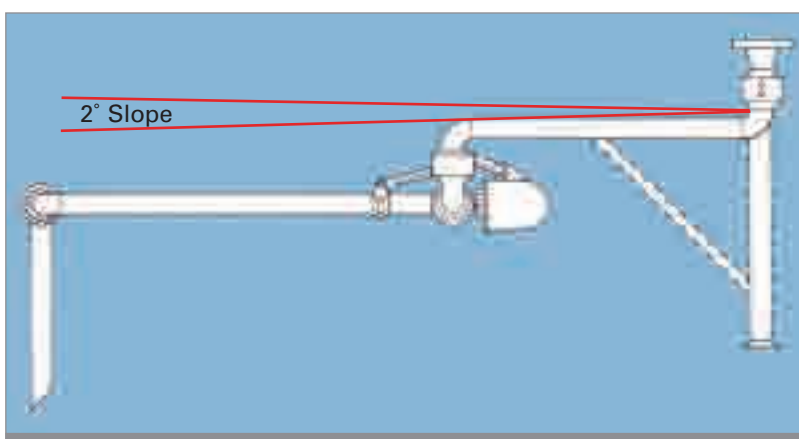


## D-32-FF Scissor Arm With Valve Outboard For Viscous Products



## Boom-Type Loader With Self-Draining Configuration

(Note: The primary arm section is angled down for drainage)



## Drum Filling Arms

- Make it easy to load both open drums and those with small bung openings
- Designed to provide the range of flexibility needed for loading drums at any orientation on pallet
- Easy operation ensures faster loading

